

RAMSEY WINCH

2001 CATALOG

x



**RAMSEY
WINCH**

LEADING THE WAY

www.ramsey.com

- SELF RECOVERY WINCHES
- UTILITY WINCHES
- MOUNTING SYSTEMS
- WINCH ACCESSORIES



2001 CATALOG

PLATINUM SERIES 4

The Platinum Series features front mount winches with a line pull rating of 9000 lbs. and 9500 lbs. Platinum Series winches have a series wound motor and planetary gearing and an integrated solenoid assembly.

PROPLUS SERIES..... 5

The ProPlus Series features front mount winches with a line pull rating of 6,000 lbs. and 8,000 lbs. ProPlus Series winches have a series wound motor, planetary gearing and an integrated solenoid assembly.

REP SERIES..... 6-7

The REP Series features front mount winches with a line pull range from 5,000 to 9,000 lbs. REP Series winches have a permanent magnet motor (the REP 9000 is series wound) and planetary gearing.

RE SERIES 8

The RE Series features front mount winches with a line pull range from 8,000 to 12,000 lbs. RE Series winches have a series wound motor and worm gearing.

QM SERIES 9-10

The QM (Quick Mount) Series are detachable winches with a rated line pull of 5,000 lbs., 8,000 lbs., and 9,000 lbs. QM Series winches feature planetary gearing, and can be mounted in the front or rear of your vehicle for winching in either direction.

RAMSEY ACCESSORIES 11

MOUNTING SYSTEMS 12-18



CHOOSING YOUR WINCH

GVW & LINE PULL

Choosing the right winch for your needs may seem complex, but it's actually quite simple. Two pieces of information are required:

VEHICLE WEIGHT

To calculate your vehicle's Gross Vehicle Weight (GVW), start with your vehicle's curb weight, then add the weight of the supplies and equipment you'll typically be carrying.

LINE PULL

The rated line pull of the winch must be high enough to pull your vehicle's GVW while overcoming resistance encountered when you're stuck or on an incline. Ramsey Winch recommends that you select a winch with a rated line pull at least 12% greater than your GVW.

Power VS Speed



Consisting of a cylindrical worm and a typical round gear, worm gear winches offer brute strength.



The multiple gears found in planetary gear winches translate to greater pulling speed.





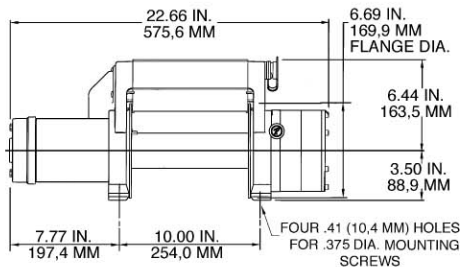
Platinum 9500

Features

- 4.8 hp heavy duty 12-volt electric reversible motor
- 150 ft. of galvanized aircraft cable (5/16") 8 MM
- Fully integrated solenoid assembly with continuous duty solenoids for reeling in cable
- Designed to fit existing Ramsey Winch mounting systems
- 3-stage planetary gear system for fast line speed
- Automatic load-holding brake for strength and reliability
- Weather shielded motor-to-solenoid wire cover
- 6 ft. (1.83 M) 2 gauge battery cable with connectors
- 12 ft. (3.65 M) remote control switch
- 4-way roller fairlead
- Limited lifetime warranty

Specifications

Rated line pull (single line) 9,500 lbs (4,309 kgs)
Gear reduction ratio . . . 138:1
Motor Series wound - 4.8 hp 12V DC
Overall dimensions . . . (LxWxH) 22.66" x 6.12" x 9.94"
 (576 MM x 156 MM x 252 MM)
Drum size Diameter 2.5" (63 MM) Length 9" (228 MM)
Weight 100 lbs. (45 kgs)
Cable supplied 105 ft. (31.8 M) of 5/16" (8 MM) galvanized aircraft cable with replaceable clevis hook
Mounting bolt pattern . . 10.00 ± .015 IN x 4.50 ± .015 IN (254,0 MM x 114,3 MM)



Line Speed & Amp Draw - First Layer

Line Pull	lbs.	NO LOAD	2,000	4,000	6,000	8,000	9,500
	kgs		900	1,810	2,720	3,620	4,309
Line Speed	fpm	35.4	16.7	12.7	10.6	9.0	7.8
	mpm	10.7	5.1	3.8	3.2	2.7	2.3
Motor Current	amps	97	180	260	335	395	430

Line Pull & Cable Capacity

Layer of Cable		1	2	3	4	5	6
Rated Line Pull per Layer	lbs.	9,500	7,700	6,500	5,700	4,900	4,400
	kgs	4,309	3,480	2,940	2,580	2,210	1,990
Cable Capacity per Layer	ft.	15	35	60	90	120	150
	m	4	10	18	27	36	45

Platinum 9500 R 12V

Part# 109127

R - 4-way roller fairlead

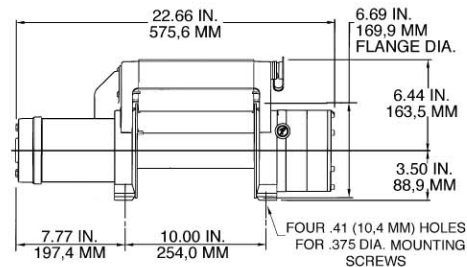
Platinum 9000

Features

- Heavy duty 12 volt electric reversible motor
- Fully integrated solenoid assembly
- 3-stage planetary gear system for fast line speed
- Automatic load-holding brake for strength and reliability
- Weather shielded motor-to-solenoid wire cover
- Cam action clutch disengages planetary gear system for free spooling
- 12 ft. (3.65 M) remote control switch
- 6 ft. (1.83 M) 2 gauge battery cables with connectors
- 4-way roller fairlead
- Limited lifetime warranty

Specifications

Rated line pull (single line) 9,000 lbs. (4,070 kgs)
Gear reduction ratio . . . 138:1 (12V)
Motor Series wound - 3.6 hp (12V) DC
Overall dimensions . . . (LxWxH) 22.66" x 6.12" x 9.94"
 (576 MM x 156 MM x 252 MM)
Drum size Diameter 2.5" (63 MM) Length 9" (228 MM)
Weight 100 lbs. (45 kgs)
Cable supplied 105 ft. (31.8 M) of 5/16" (8 MM) galvanized aircraft cable with replaceable clevis hook
Mounting bolt pattern . . 10.00 ± .015 IN x 4.50 ± .015 IN (254,0 MM x 114,3 MM)



Line Speed & Amp Draw - First Layer

Line Pull	lbs.	NO LOAD	2,000	4,000	6,000	9,000
	kgs		900	1,810	2,720	4,070
Line Speed	fpm	29	15	11	9	7
	mpm	8.8	4.6	3.4	2.7	2.1
Motor Current	amps	12V 90	190	245	315	400

Line Pull & Cable Capacity

Layer of Cable		1	2	3	4	5	6
Rated Line Pull per Layer	lbs.	9,000	7,300	6,200	5,400	4,700	4,200
	kgs	4,070	3,300	2,800	2,440	2,130	1,900
Cable Capacity per Layer	ft.	15	40	70	95	120	150
	m	4	12	21	28	36	45

Platinum 9000 R 12V

Part# 109114



WARNING: To prevent serious injury –
 • Do not use winches as hoists. • Do not use winches to move people.
 • Keep hands clear of wire rope and fairlead opening during operation and when spooling. • Not intended for commercial use.



ProPlus 8000

ProPlus 6000

Features

- 3-stage planetary gear system for fast line speed
- Automatic load-holding brake for strength and reliability
- Cam action clutch disengages planetary gear system for free spooling
- Limited lifetime warranty

Specifications

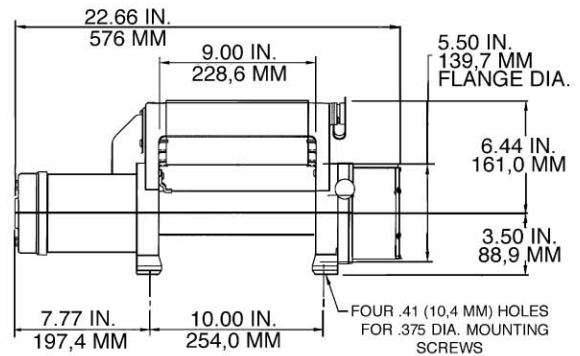
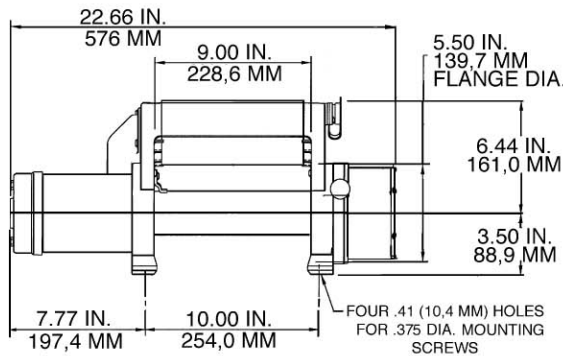
Rated line pull (single line) 8,000 lbs (3,620 kgs)
 Gear reduction ratio . . . 126:1 (12V)
 Motor Series wound - 4.8 hp 12V DC
 Overall dimensions (LxWxH) 22.66" x 6.12" x 9.94"
 (576 MM x 156 MM x 252 MM)
 Drum size Diameter 2.5" (63 MM) Length 9" (228 MM)
 Weight 100 lbs. (42 kgs)
 Cable supplied 95 ft. (29 M) of 5/16" (8 MM) galvanized aircraft cable
 with replaceable clevis hook
 Mounting bolt pattern . . . 10.00 ± .015 IN x 4.50 ± .015 IN (254,0 MM x 114,3 MM)

Features

- 3-stage planetary gear system for fast line speed
- Automatic load-holding brake for strength and reliability
- Cam action clutch disengages planetary gear system for free spooling
- Limited lifetime warranty

Specifications

Rated line pull (single line) 6,000 lbs (2,720 kgs)
 Gear reduction ratio . . . 90:1 (12V)
 Motor Series wound - 4.8 hp 12V DC
 Overall dimensions (LxWxH) 22.66" x 6.12" x 9.94"
 (576 MM x 156 MM x 252 MM)
 Drum size Diameter 2.5" (63 MM) Length 9" (228 MM)
 Weight 100 lbs. (45 kgs)
 Cable supplied 100 ft. (30,5 M) of 1/4" (6 MM) galvanized aircraft
 cable with replaceable clevis hook
 Mounting bolt pattern . . . 10.00 ± .015 IN x 4.50 ± .015 IN (254,0 MM x 114,3 MM)



Line Speed & Amp Draw

Line Pull	lbs.	NO LOAD	2,000	4,000	6,000	8,000	
	kgs		900	1,810	2,720	3,620	
Line Speed	fpm	35	18	13	10	8	
	mpm	10.6	5.5	3.9	3.0	2.4	
Motor Current	amps	12V	95	210	270	355	420

Line Speed & Amp Draw

Line Pull	lbs.	NO LOAD	1,000	3,000	5,000	6,000	
	kgs		450	1,350	2,260	2,720	
Line Speed	fpm	45	23	20	14	12	
	mpm	13.7	7.0	6.1	4.3	3.6	
Motor Current	amps	12V	100	200	270	350	405

Line Pull & Cable Capacity

Layer of Cable		1	2	3	4
Rated Line Pull per Layer	lbs.	8,000	6,500	5,500	4,800
	kgs	3,620	2,940	2,490	2,170
Cable Capacity per Layer	ft.	15	40	70	95
	m	4	12	21	28

Line Pull & Cable Capacity

Layer of Cable		1	2	3	4
Rated Line Pull per Layer	lbs.	6,000	5,000	4,400	3,800
	kgs	2,720	2,260	1,990	1,710
Cable Capacity per Layer	ft.	20	50	80	100
	m	6	15	24	30

ProPlus 8000 R 12V

Part# 109136

ProPlus 6000 R 12V

Part# 109134

R - 4-way roller fairlead

WARNING: To prevent serious injury –
 • Do not use winches as hoists. • Do not use winches to move people.
 • Keep hands clear of wire rope and fairlead opening during operation and when spooling. • Not intended for commercial use.





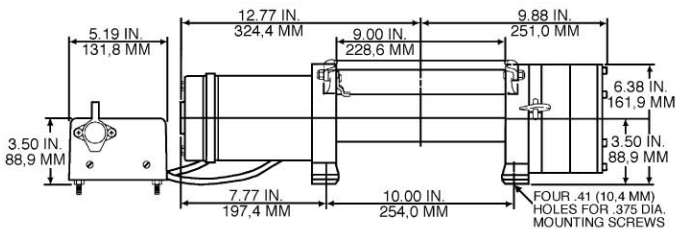
REP 9000

Features

- 3-stage planetary gear system for fast line speed
- Automatic load-holding brake
- Cam action clutch disengages planetary gear system for free spooling
- Limited lifetime warranty

Specifications

Rated line pull (single line) 9,000 lbs. (4,070 kgs)
 Gear reduction ratio . . . 138:1 (12V) (24V)
 Motor Series wound - 4.8 hp (12V) - 2.5 hp (24V) DC
 Overall dimensions . . . (LxWxH) 22.65" x 6.12" x 6.38"
 (575 MM x 156 MM x 162 MM)
 Drum size Diameter 2.5" (63 MM) Length 9" (228 MM)
 Weight 92 lbs. (42 kgs)
 Cable supplied 95 ft. (29 M) of 5/16" (8 MM) galvanized aircraft
 cable with replaceable clevis hook
 Mounting bolt pattern . . 10.00 ± .015 IN x 4.50 ± .015 IN (254,0 MM x 114,3 MM)



Note: 24V models have different dimensions. Consult factory.

Line Speed & Amp Draw - First Layer

Line Pull	lbs.	NO LOAD	2,000	4,000	6,000	9,000	
	kgs	LOAD	900	1,810	2,720	4,070	
Line Speed	fpm	12V	33	16.7	12.7	10.6	8.0
	mpm	24V	25	15	11	9	7
	mpm	12V	10.0	5.1	3.9	3.2	2.4
	mpm	24V	7.6	4.5	3.3	2.7	2.1
Motor Current	amps	12V	97	180	260	335	420
	amps	24V	35	75	110	140	175

Line Pull & Cable Capacity

Layer of Cable		1	2	3	4
Rated Line Pull per Layer	lbs.	9,000	7,300	6,200	5,400
	kgs	4,070	3,300	2,800	2,440
Cable Capacity per Layer	ft.	15	40	70	95
	m	4	12	21	28

Model REP 9000 R 12V
 Model REP 9000 R 24V

Part# 111038
 Part# 110976

R - 4-way roller fairlead



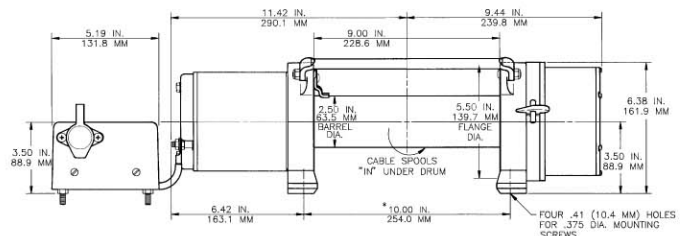
REP 8000

Features

- 3-stage planetary gear system for fast line speed
- Automatic load-holding brake
- Cam action clutch disengages planetary gear system for free spooling
- Limited lifetime warranty

Specifications

Rated line pull (single line) 8,000 lbs. (3,620 kgs)
 Gear reduction ratio . . . 210:1 (12V) - 150:1 (24V)
 Motor Permanent magnet 3.6 hp (12V) - 2.6 hp (24V) DC
 Overall dimensions . . . (LxWxH) 20.86" x 6.00" x 6.38"
 (530 MM x 152 MM x 162 MM)
 Drum size Diameter 2.5" (63 MM) Length 9" (228 MM)
 Weight 75 lbs. (34 kgs)
 Cable supplied 95 ft. (29 M) of 5/16" (8 MM) galvanized aircraft
 cable with replaceable clevis hook
 Mounting bolt pattern . . 10.00 ± .015 IN x 4.50 ± .015 IN (254,0 MM x 114,3 MM)



Note: 24V models have different dimensions. Consult factory.

Line Speed & Amp Draw - First Layer

Line Pull	lbs.	NO LOAD	2,000	4,000	6,000	8,000	
	kgs	LOAD	900	1,810	2,720	3,620	
Line Speed	fpm	12V	18	15	12	9	6
	mpm	24V	18	15	12	9	6.5
	mpm	12V	5.5	4.6	3.7	2.7	1.8
	mpm	24V	5.4	4.5	3.6	2.7	1.9
Motor Current	amps	12V	60	150	220	310	420
	amps	24V	10	50	100	150	210

Line Pull & Cable Capacity

Layer of Cable		1	2	3	4
Rated Line Pull per Layer	lbs.	8,000	6,500	5,500	4,800
	kgs	3,620	2,940	2,490	2,170
Cable Capacity per Layer	ft.	15	40	70	95
	m	4	12	21	28

Model REP 8000 R 12V
 Model REP 8000 R 24V

Part# 111036
 Part# 110809



WARNING: To prevent serious injury -
 • Do not use winches as hoists. • Do not use winches to move people.
 • Keep hands clear of wire rope and fairlead opening during operation and when spooling. • Not intended for commercial use.



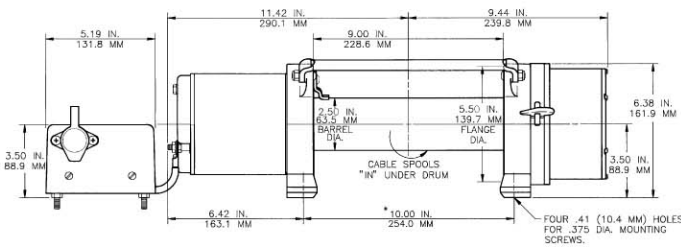
REP 6000

Features

- 3-stage planetary gear system for fast line speed
- Automatic load-holding brake
- Cam action clutch disengages planetary gear system for free spooling
- Limited lifetime warranty

Specifications

Rated line pull (single line) 6,000 lbs. (2,720 kgs)
 Gear reduction ratio . . . 150:1 (12V) – 210:1 (24V)
 Motor Permanent magnet 3.6 hp (12V) – 1.9 hp (24V)
 Overall dimensions (LxWxH) 20.86" x 6.00" x 6.38"
 (530 MM x 152 MM x 162 MM)
 Drum size Diameter 2.5" (63 MM) Length 9" (228 MM)
 Weight 65 lbs. (30 kgs)
 Cable supplied 100 ft. (30.5 M) of 1/4" (6 MM) galvanized aircraft cable with replaceable clevis hook
 Mounting bolt pattern . . . 10.00 ± .015 IN x 4.50 ± .015 IN (254.0 MM x 114.3 MM)



Note: 24V models have different dimensions. Consult factory.

Line Speed & Amp Draw - First Layer

Line Pull	lbs.	kgs	NO LOAD	1,000	3,000	5,000	6,000
Line Speed	fpm		12V 25	21	16	10	8
	mpm		24V 20	17	12	8	5
Motor Current	amps		12V 70	155	240	370	440
			24V 20	50	105	160	190

Line Pull & Cable Capacity

Layer of Cable		1	2	3	4
Rated Line Pull per Layer	lbs.	6,000	5,000	4,400	3,800
	kgs	2,720	2,260	1,990	1,720
Cable Capacity per Layer	ft.	20	50	80	100
	m	6	15	24	30

Model REP 6000 R 12V
 Model REP 6000 R 24V
 R - 4-way roller fairlead

Part# 111034
 Part# 110804



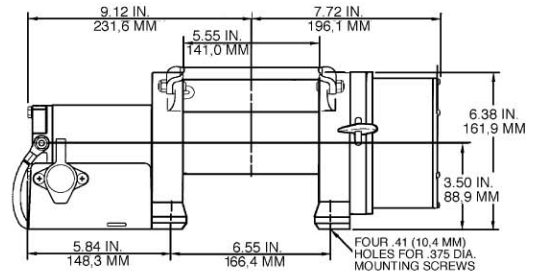
REP 5000

Features

- 3-stage planetary gear system for fast line speed
- Automatic load-holding brake
- Cam action clutch disengages planetary gear system for free spooling
- Limited lifetime warranty

Specifications

Rated line pull (single line) 5,000 lbs. (2,260 kgs)
 Gear reduction ratio . . . 294:1 (12V) – 210:1 (24V)
 Motor Permanent magnet 1.3 hp (12V) – 1.9 hp (24V)
 Overall dimension (LxWxH) 16.84" x 6.00" x 6.38"
 (428 MM x 152 MM x 162 MM)
 Drum size Diameter 2.5" (63 MM) Length 5.5" (140 MM)
 Weight 60 lbs. (27 kgs)
 Cable supplied 80 ft. (24 M) or optional 150 ft. (45.7 M) of 1/4" (6 MM) galvanized aircraft cable with replaceable clevis hook
 Mounting bolt pattern . . . 6.55 ± .015 IN x 4.50 ± .015 IN (166.4 MM x 114.3 MM)



Note: 24V models have different dimensions. Consult factory.

Line Speed & Amp Draw - First Layer

Line Pull	lbs.	kgs	NO LOAD	1,000	3,000	5,000
Line Speed	fpm		12V 15	11	8	5
	mpm		24V 20	17	12	8
Motor Current	amps		12V 45	100	155	230
			24V 20	50	105	160

Line Pull & Cable Capacity

Layer of Cable		1	2	3	4
Rated Line Pull per Layer	lbs.	5,000	4,200	3,600	3,200
	kgs	2,260	1,900	1,630	1,450
Cable Capacity per Layer	ft.	15	30	55	80
	m	4.5	9	17	24

Model REP 5000 R 12V
 Model REP 5000 R 24V

Part# 110904
 Part# 110906

WARNING: To prevent serious injury –
 • Do not use winches as hoists. • Do not use winches to move people.
 • Keep hands clear of wire rope and fairlead opening during operation and when spooling. • Not intended for commercial use.





RE 12000



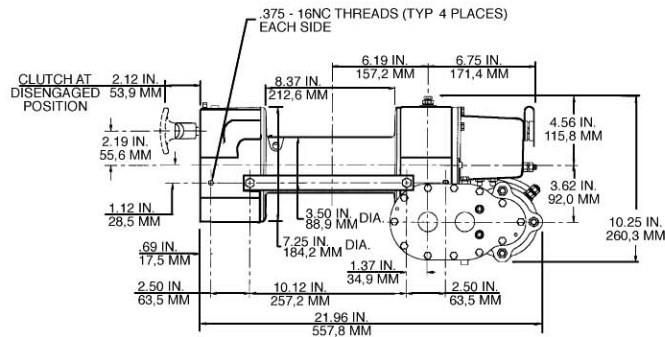
RE 8000

Features

- Strong worm gear provides load reversing protection
- Exclusive semi-automatic RAM-LOK™ clutch disengages for free spooling; spring loaded for positive engagement
- Limited lifetime warranty

Specifications

Rated line pull (single line) 12,000 lbs. (5,440 kgs)
Gear reduction ratio . . . 470:1 (12V) (24V)
Motor Series wound 4.8 hp (12V) - 2.5 hp (24V) DC
Overall dimensions . . . (LxWxH) 21.96" x 10.75" x 10.25"
 (558 MM x 273 MM x 260 MM)
Drum size Diameter 3.5" (89 MM) Length 8.38" (212 MM)
Weight 135 lbs. (61 kgs)
Cable supplied 100 ft. (30.5 M) or optional 125 ft. (38 M) of 3/8" (9 MM) galvanized aircraft cable with replaceable clevis hook



Note: 24V models have different dimensions. Consult factory.

Line Speed & Amp Draw - First Layer

Line	lbs.	NO	2,000	8,000	10,000	12,000
Pull	kgs	LOAD	900	3,620	4,530	5,440
Line	fpm		16	8.6	4.4	3.8
Speed	mpm		4.9	2.6	1.3	1.2
Motor	amps	12V	80	150	290	335
Current		24V	30	50	135	160

Line Pull & Cable Capacity

Layer of Cable		1	2	3	4
Rated Line	lbs.	12,000	10,000	8,600	7,500
Pull per Layer	kgs	5,440	4,530	3,890	3,390
Cable Capacity	ft.	20	40	70	100
per Layer	m	6	12	21	30

Model RE 12,000 R 12V
 Model RE 12,000 R 24V
 Model RE 12,000 RX 12V

Part# 112162
 Part# 110597
 Part# 112169

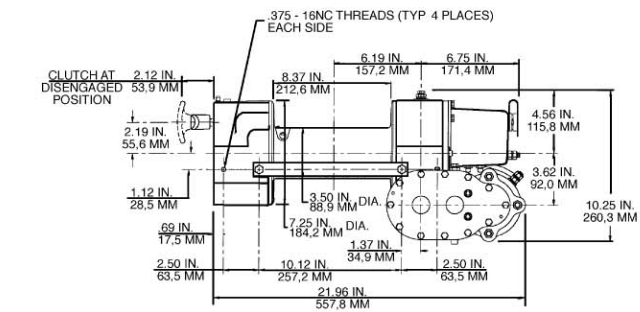
R - 4-way roller fairlead X - Long drum

Features

- Strong worm gear provides load reversing protection
- Exclusive semi-automatic RAM-LOK™ clutch disengages for free spooling; spring loaded for positive engagement
- Limited lifetime warranty

Specifications

Rated line pull (single line) 8,000 lbs. (3,620 kgs)
Gear reduction ratio . . . 360:1 (12V) (24V)
Motor Series wound 4.8 hp (12V) - 2.5 hp (24V) DC
Overall dimensions . . . (LxWxH) 21.96" x 10.75" x 10.25"
 (558 MM x 273 MM x 260 MM)
Drum size Diameter 3.5" (89 MM) Length 8.38" (212 MM)
Weight 130 lbs. (59 kgs)
Cable supplied 150 ft. (30.5 M) of 5/16" (8 MM) galvanized aircraft cable with replaceable clevis hook



Note: 24V models have different dimensions. Consult factory.

Line Speed & Amp Draw - First Layer

Line	lbs.	NO	2,000	4,000	6,000	8,000
Pull	kgs	LOAD	900	1,810	2,720	3,620
Line	fpm		20	9.5	7.0	5.3
Speed	mpm		6.1	2.9	2.1	1.6
Motor	amps	12V	90	170	235	302
Current		24V	36	75	105	140

Line Pull & Cable Capacity

Layer of Cable		1	2	3	4	5
Rated Line	lbs.	8,000	6,800	6,000	5,300	4,800
Pull per Layer	kgs	3,620	3,080	2,710	2,400	2,170
Cable Capacity	ft.	20	50	80	120	150
per Layer	m	6	15	24	36	45

Model RE 8,000 R 12V
 Model RE 8,000 R 24V

Part# 112158
 Part# 110414



WARNING: To prevent serious injury -
 • Do not use winches as hoists. • Do not use winches to move people.
 • Keep hands clear of wire rope and fairlead opening during operation and when spooling. • Not intended for commercial use.



QM 9000

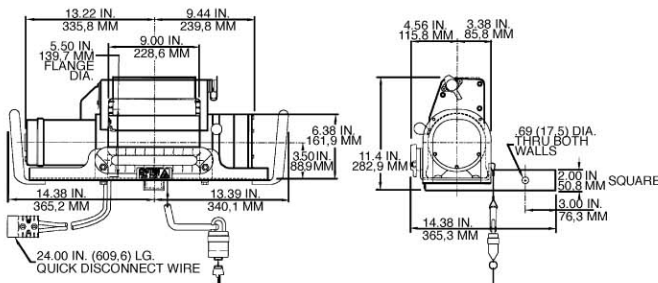
Features

- QM 9000 must be used with a class-three rear receiver hitch with 5,000 lbs. minimum weight carrying (W/C) rating (receiver must not be recessed more than 1 1/4" from bumper face)*
- 3-stage planetary gear system for fast line speed
- Cam action clutch disengages planetary gear system for free spooling
- Automatic load-holding brake for strength and reliability
- Anti-theft locking pin
- Limited lifetime warranty

Specifications

Rated line pull (single line) 9,000 lbs. (4,070 kgs)
Gear reduction ratio . . 138:1 (12V)
Motor Series wound - 3.6 hp (12V) DC
Overall dimensions . . . (LxVxH) 27.77" x 14.38" x 11.14"
 (705 MM x 365 MM x 283 MM)
Drum size Diameter 2.5" (63 MM) Length 9" (228 MM)
Weight 95 lbs. (43 kgs)
Cable supplied 150 ft. (45.7 M) of 5/16" (8 MM) galvanized aircraft cable with replaceable clevis hook

* All products in the QM Series will front mount into QM Front Receivers from Ramsey Winch.



Line Speed & Amp Draw - First Layer

Line Pull	lbs.	kgs	NO LOAD	2,000	4,000	6,000	9,000
Line Speed	fpm	mpm	29	15	11	9	7
Motor Current	amps	12V	90	190	245	315	400

Line Pull & Cable Capacity

Layer of Cable		1	2	3	4	5	6
Rated Line Pull per Layer	lbs.	9,000	7,300	6,200	5,400	4,700	4,200
	kgs	4,070	3,300	2,800	2,440	2,130	1,900
Cable Capacity per Layer	ft.	15	40	70	95	120	150
	m	4	12	21	28	36	45

Model QM 9000 12V Part# 111040

*All products in the QM Series will front mount into QM Front Receivers from Ramsey Winch.



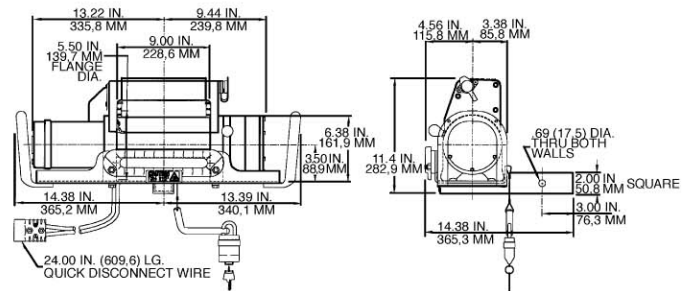
QM 8000

Features

- QM 8000 must be used with a class-three rear receiver hitch with 5,000 lbs. minimum weight carrying (W/C) rating (receiver must not be recessed more than 1 1/4" from bumper face)*
- 3-stage planetary gear system for fast line speed
- Cam action clutch disengages planetary gear system for free spooling
- Automatic load-holding brake for strength and reliability
- Anti-theft locking pin
- Limited lifetime warranty

Specifications

Rated line pull (single line) 8,000 lbs (3,620 kgs)
Gear reduction ratio . . 126:1 (12V)
Motor Series wound - 4.8 hp 12V DC
Overall dimensions . . . (LxVxH) 27.77" x 14.38" x 11.14"
 (705 MM x 365 MM x 283 MM)
Drum size Diameter 2.5" (63 MM) Length 9" (228 MM)
Weight 100 lbs. (45 kgs)
Cable supplied 95 ft. (29 M) of 5/16" (8 MM) galvanized aircraft cable with replaceable clevis hook



Line Speed & Amp Draw

Line Pull	lbs.	kgs	NO LOAD	2,000	4,000	6,000	8,000
Line Speed	fpm	mpm	38	23	18	15	13
Motor Current	amps	12V	90	180	250	320	380

Line Pull & Cable Capacity

Layer of Cable		1	2	3	4
Rated Line Pull per Layer	lbs.	8,000	6,500	5,500	4,800
	kgs	3,620	2,940	2,490	2,170
Cable Capacity per Layer	ft.	15	40	70	95
	m	4	12	21	28

Model QM 8000 12V Part# 111039

*All products in the QM Series will front mount into QM Front Receivers from Ramsey Winch.

WARNING: To prevent serious injury -

- Do not use winches as hoists. • Do not use winches to move people.
- Keep hands clear of wire rope and fairlead opening during operation and when spooling. • Not intended for commercial use.





Mounting Platforms & Accessories

You can Quick Mount any of the following Ramsey Winches:

- Platinum 9000
- ProPlus 8000
- REP 9000
- REP 8000

To Quick Mount a Ramsey Winch, you must have the following parts:

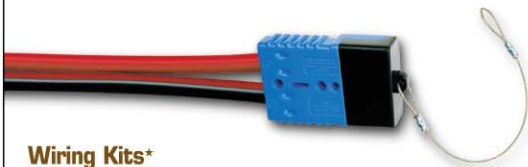
1. Winch
2. QM Winch Mounting Platform
3. Quick Connect Battery Power Lead
4. Wiring Kit

Winch Mounting Platforms

QM Winch Mounting Platform for
REP/ProPlus 8000 & Platinum 9000 winches: 251043

Quick Connect Battery Power Leads* †

5 ft. (1.5 M) Battery Power Lead 251053
20 ft. (6.1 M) Battery Power Lead 251021
24 ft. (7.3 M) Battery Power Lead 251054



Wiring Kits*

QM Kit for ProPlus 8000 winches 251044
QM Kit for REP 8000 (12 volt DC) winch 251060
QM Kit for REP 8000 (24 volt DC) winch 251061
QM Kit for REP 9000 (12 volt DC) winch 251051
QM Kit for REP 9000 (24 volt DC) winch 251052

NOTES:

- QM 5000 will mount into any standard class-three rear receiver hitch. Receiver must not be recessed more than 1 1/4" from bumper face.
- QM 8000/9000 must be used with a class-three rear receiver hitch, or equivalent, with 5,000 lbs. minimum weight carrying (WC) rating. Receiver must not be recessed more than 1 1/4" from bumper face.
- All products in the QM Series will front mount into QM Front Receivers from Ramsey Winch.

* QM Wiring Kit and Quick Connect Battery Power Lead must be purchased with Mounting Platform to mount winch.

† A 5 ft. (1.5 M) battery power lead is required for front mounting. For rear mounting a 20 ft. or 24 ft. (7.3 M) battery power lead must be purchased.

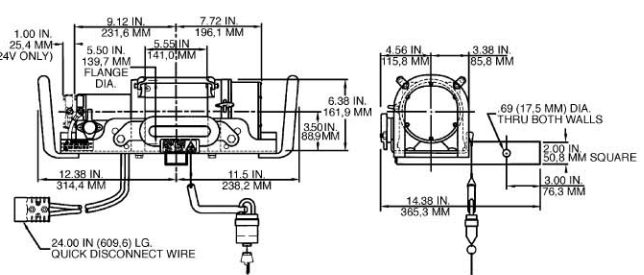
QM 5000

Features

- QM 5000 will mount into any standard class-three rear receiver hitch.
- 3-stage planetary gear system for fast line speed
- Cam action clutch disengages planetary gear system for free spooling
- Automatic load-holding brake for strength and reliability
- Anti-theft locking pin
- Limited lifetime warranty

Specifications

Rated line pull (single line) 5,000 lbs (2,260 kgs)
Gear reduction ratio 294:1 (12V) – 210:1 (24V)
Motor Permanent magnet - 1.3 hp (12V) – 1.9 hp (24V) DC
Overall dimensions (LxWxH) 23.53" x 14.38" x 8.00"
(598 MM x 365 MM x 203 MM)
Drum size Diameter 2.5" (63 MM) Length 5.5" (139 MM)
Weight 78 lbs. (36 kgs)
Cable supplied 80 ft. (24 M) of 1/4" (6 MM) galvanized aircraft cable with replaceable clevis hook



Note: 24V models have different dimensions. Consult factory.

Line Speed & Amp Draw – First Layer

Line Pull	lbs.	kgs	LOAD			
			NO	1,000	3,000	5,000
Line Speed	fpm		15	11	8	5
	24V		20	17	12	8
	mpm		4.5	3.3	2.4	1.5
Motor Current	12V		45	100	155	230
	24V		20	50	105	160

Line Pull & Cable Capacity

Layer of Cable		1	2	3	4
Rated Line	lbs.	5,000	4,200	3,600	3,200
Pull per Layer	kgs	2,260	1,900	1,630	1,450
Cable Capacity per Layer	ft.	15	30	55	80
	m	4.5	9	17	24

Model QM 5000 12V Part# 111008
Model QM 5000 24V Part# 111009

*All products in the QM Series will front mount into QM Front Receivers from Ramsey Winch.





Tow Ropes

- 14' (4.26 M) with protectors and hooks (6,000 lbs. [2,721 kgs] approx. breaking strength) 251131
- 17' (5.18 M) with protectors and hooks (8,500 lbs. [3,854 kgs] approx. breaking strength) 251132
- 19' (5.79 M) with protectors and hooks (10,000 lbs. [4,535 kgs] approx. breaking strength) 251133
- 17' (5.18 M) with protectors and hooks (15,000 lbs. [6,802 kgs] approx. breaking strength). 251134

Mounting Channels (For REP, ProPlus & Platinum winches)

- 24" (610 MM) Length 251126
- 30" (760 MM) Length 251127
- 36" (810 MM) Length 251128

Safety On-Off Switch

Shuts off power to winch (Under hood mount) 282053

Clevis Hooks

- REP 5000/6000, ProPlus 6000 & QM 5000 251138
- REP 8000/9000, ProPlus 8000, Platinum 9000, RE 8000 & QM 8000. 251139
- Platinum 9500, RE 12,000 251140

Fairleads

- Hawse fairlead for 5,000 lb. winch 251150
- Hawse fairlead for 6,000 to 9,000 lb. winch. 251152
- 4-way roller fairlead for 5,000 lb. winch 251151
- 4-way roller fairlead for 6,000 to 12,000 lb. winch. 251153
- 4-way roller fairlead for RE 12,000 RX (long drum) 251154
- 4-way roller fairlead for Platinum 9500. 274029

Remote Control Switches

- 12' (3.66 M) 251110
- 15' (4.57 M) 251111
- 25' (7.62 M) 251112
- 50' (15.24 M) 251113
- 12' (3.66 M) heavy duty 251114
- 15' (4.57 M) heavy duty 251115
- 25' (7.62 M) heavy duty 251116
- 50' (15.24 M) heavy duty 251117



Winch Accessory Kit

Includes 8,000 lbs. (3,620 kgs) snatch block, forged steel shackle, tree trunk protector, leather faced work gloves, and accessory carry bag 251002



Components of kit also available individually:

- Snatch Block-Swivel side plate shackle-type snatch block doubles pulling power of REP 5000/6000/8000, ProPlus 6000/8000 and RE 8000 winches. 251014
- Shackle 251106
- Tree trunk protector 251107
- Gloves 251108
- Accessory carry bag 251109

Winch Covers

Durable black polyester cover with soft inner lining, easy-attachment shock cord, and "S" hooks:



- RE 8000 winch bumpers (truck) 251015
- RE 8000 on Jeep Scrambler, Toyota Land Cruiser and station wagon Original Mounting Kits. 251016
- REP 6000/8000 Combo Mounting Kits when REP 8000 solenoids are not banded to motor. 251017
- REP 5000. 251037
- REP 6000/8000 Jeep Scrambler & Toyota Land Cruiser Original Kits, & REP 9000 when solenoid is separated 251018
- REP 8000/9000 when solenoids are banded to motor on Combo Mounting Kits only 251019
- ProPlus 6000/8000 251174
- Platinum 9000/9500 251179

Replacement & Extension Cable (galvanized aircraft replacement cable with clevis hook)

- 95' (28.96 M) x 5/16" (8 MM) 251118
- 100' (30.48 M) x 1/4" (6 MM) 251119
- 100' (30.48 M) x 5/16" (8 MM) 251120
- 125' (38.1 M) x 5/16" (8 MM) 251121
- 150' (45.72 M) x 5/16" (8 MM) 251122
- 100' (30.48 M) x 3/8" (9 MM) 251123
- 125' (38.1 M) x 3/8" (9 MM) 251124
- 50' (15.24 M) x 5/16" (8 MM) – 2 replacement clevis hooks. 251125



Dual Battery Isolator (12V & 24V)

Handles alternators up to 90 amps; charges either or both batteries as required:

- Isolator only 251145
- Complete Isolator Kit with mounting hardware and wiring 251144
- Complete Isolator Kit with mounting hardware and wiring for GM Delco CS series 100 alternator (1986 through 1995 models only) 251146



WARNING: To prevent serious injury –
 • Do not use winches as hoists. • Do not use winches to move people.
 • Keep hands clear of wire rope and fairlead opening during operation and when spooling. • Not intended for commercial use.

MOUNTING SYSTEMS

www.ramsey.com

Sierra Accessories

- Sleek "European" design contours to shape of vehicle
- Mounting kits designed for Ramsey REP, ProPlus and Platinum Series winches
- Wraparound styling offers full grille and headlight protection
- Wraparound and Grille Guard mount to vehicle frame without removing bumper
- Light bar will accommodate fog lamps



Sierra Wraparound for full size Ford



Sierra Wraparound for full size Chevrolet

Wraparound Combo

- Designed for Ramsey REP, ProPlus, Platinum and RE Series winches
- Mount to factory bumper and vehicle frame
- Stylish grille tubes and brushguards offer full grille and headlight protection (Wraparound kits "wrap" to side of vehicle)



Wraparound for Ford Super Duty



Combo for Jeep Cherokee





Grille Guard

- Designed for Ramsey REP, ProPlus, Platinum and RE Series winches
- Grille tubes offer stylish front end protection
- Mount to factory bumper and vehicle frame



Grille Guard for Dodge Durango



Grille Guard for Ford Super Duty

Sport Bar

- Designed for Ramsey REP, ProPlus and Platinum Series winches
- Mount to factory bumper and vehicle frame
(TJ Sport uses factory vehicle bumper)
- Available in black powder finish only



Sport Bar for Chevrolet



TJ Sport with optional Sport Bar for Jeep TJ

Bumper

- Designed for Ramsey REP, and RE Series winches
- Custom designed in one piece for best fit
- Replaces original vehicle bumper
- TreKker Bumper has optional winch cover to conceal winch and allow easy mounting of front license plate (not shown)
- Heavy Duty Fleet Bumper is structurally reinforced for strength on the job
- Available in black powder finish (except Fleet Bumper, which is available in black steel treadplate only)



TreKker Bumper with optional TreK-Guard for Chevrolet



Heavy Duty Fleet Bumper for Chevrolet

Original/Hidden/QM

Original

- Designed for Ramsey REP, ProPlus, Platinum and RE Series winches
- Available for Jeep CJ, Wrangler and Scrambler vehicles
- Uses factory vehicle bumper



Original

Hidden

- Designed for Ramsey REP, ProPlus, Platinum and RE Series winches
- Puts winch out of sight
- Some hidden kits may require cutting metal



Hidden for Ford

QM Front Receiver

- Allows front mounting of Ramsey QM Series winch systems

Rear receivers not sold by Ramsey:

- QM 5000 will mount into any standard class-three rear receiver hitch
- QM 8000 and 9000 must be used with a class-three rear receiver hitch, or equivalent, with 5,000 lbs. minimum weight carrying (WC) rating



QM on Ford Super Duty

Installation Chart

Resources required to complete the installation of the selected mounting kit. All kits require a standard socket set, standard wrench set, phillips and flate head screw drivers, allen wrench set and torque wrench. The lower the number of wrenches the less difficult the kit is to install.

- | | | | | |
|--|---|--|---|--|
| <p>⚡</p> <ul style="list-style-type: none"> • Bolt on • Installation less than 1 hr. • One person | <p>⚡⚡</p> <ul style="list-style-type: none"> • Additional tools electric drill • Bolt on • Installation less than 2 hrs. • One person | <p>⚡⚡⚡</p> <ul style="list-style-type: none"> • Additional tools electric drill, tape measure and square • Requires grille or bumper removal • Air damn modification • Installation less than 2-3 hrs. • Two person | <p>⚡⚡⚡⚡</p> <ul style="list-style-type: none"> • Additional tools electric drill, tape measure, square, pry bar and wooden spacers • Requires grille or bumper removal and modification • Air damn modification • Installation less than 3-4 hrs. • Two person | <p>⚡⚡⚡⚡⚡</p> <ul style="list-style-type: none"> • Additional tools electric drill, tape measure, square, pry bar, wooden spacers and jigsaw • Requires grille or bumper removal and modification • Installation 4+ hrs. • Two-three person |
|--|---|--|---|--|

Applications



AM General	Installation Rating	Platinum ProPlus / REP QM Series	RE Series
1993-2001 Hummer			
Bumper Kit*	☺☺☺☺	295179	295182
Optional Brushguard (for Bumper)	☺☺	252058	252058
Under Carriage Guard Kit	☺	251064	251064

Chevrolet/GMC

2001 Silverado/Sierra HD 2500 4x4 only, 3500 4x4			
Grille Guard	☺☺☺	N/A	295358
Sierra Grille Guard	☺☺	295928	N/A
QM Front Receiver	☺☺	251068	N/A
1999-2001 (7200 GVW and below) Silverado/Sierra 4x4, 1500, 2500, 2000-2001, 1500 Suburban/Yukon X, Tahoe/Yukon (J)			
Sierra Wraparound	☺☺☺	295922	N/A
Sierra Grille Guard	☺☺☺	295921	N/A
QM Front Receiver	☺☺	251067	N/A
1999-2000 (8600GVW) Silverado/Sierra HD 2500 4x4 only 3500 4x4			
2000-2001, 2500 Suburban/Yukon X (J) (8600GVW to 12,000GVW)			
Sierra Wraparound	☺☺☺	295925	N/A
Grille Guard	☺☺☺	N/A	295358
QM Front Receiver	☺☺	251068	N/A
1994-1999 Suburban, Tahoe, Yukon, 1994-2000, 3500 Pickup CK Series (A) (V) (J)			
1994-1998 1500, 2500 Pickup CK Series (V) 2000, 3500 CK Series (V) (A)			
Sierra Wraparound	☺☺☺	295901	N/A
Sierra Grille Guard	☺☺☺	295908	N/A
Sport Bar	☺☺☺	295192	N/A
Hidden* (A)	☺☺	295163	N/A
TreKker Bumper* (W)	☺☺☺	212126	N/A
Req'd Hdwr.		292043	N/A
QM Front Receiver	☺☺	251039	N/A



Original Mounting Kit



QM Front Receiver Mounting Kit



Sierra Grille Guard Mounting Kit



Hidden Mounting Kit

* Will not mount ProPlus/Platinum Series winches.
 (A) For ProPlus 9000X/Platinum Series must use mounting spacer kit P/N 251047.

(J) Will not fit Yukon Denali.
 (V) Will not fit 3500 HD trucks.
 (W) Bumper decreases air flow when used on diesel models. Optional Air Scoop Kit 256101 recommended.

MOUNTING SYSTEMS

www.ramsey.com

Applications



Chevrolet / GMC continued	Installation Rating	Platinum ProPlus / REP QM Series	RE Series
1992-1993 Suburban, Blazer, Jimmy 1988-1993 1500, 2500, 3500 Pickup CK Series (V)			
Hidden* (A)	YY	295163	N/A
Fleet Bumper* (W)	YYYY	212129	212129
Req'd Hdwr.		292051	292053
QM Front Receiver	YY	251039	N/A
Chrysler / Jeep			
1997-2001 Jeep Wrangler TJ			
TJ Sport	Y	295241	N/A
Optional Sport Bar (not for use with Rubicon Package)	Y	251062	N/A
1997-2001 Cherokee			
Combo	YYY	295326	N/A
1986-1995 Jeep Wrangler YJ			
Original (A)	Y	295150	N/A
1970-1986 CJ & Scrambler			
Original (A)	YYY	295137	N/A
Dodge			
1998-2001 Durango 4X4, 1997-2001 Dakota 4X4 / Dakota Sport 4 x 4			
Sierra Grille Guard	YYY	295914	N/A
QM Front Receiver	YYY	251066	N/A



Sierra Grille Guard Mounting Kit



Hidden Mounting Kit



Original Mounting Kit



QM Front Receiver Mounting Kit

* Will not mount ProPlus/Platinum Series winches.
 (A) For ProPlus 9000X/Platinum Series must use mounting spacer kit P/N 251047.

(E) Use P/N 251001 extension bracket for vehicles without tow hooks.
 (J) Will not fit Yukon Denali.
 (Q) Fits RE 8000 only.

(V) Will not fit 3500 HD trucks. Bumper decreases air flow when used on diesel models. Optional Air Scoop Kit 256101 recommended.



Dodge continued	Installation Rating	Platinum ProPlus / REP QM Series	RE Series
1994-2001 1500, 2500, 3500 Pickup (does not fit Sport Model)			
Sierra Wraparound	☺☺☺	295905	N/A
Sierra Grille Guard	☺☺☺	295909	N/A
Wraparound	☺☺☺	N/A	295322
QM Front Receiver	☺☺	251050	N/A

Ford

1997-1998 F-150 4x4, F-250 Light Duty, Expedition 4x4			
Hidden (A)	☺☺	295276	N/A
QM Front Receiver	☺☺☺	251049	N/A
1999-2001 F-150 4x4, F-250 Light Duty, Expedition 4x4			
Sierra Wraparound	☺☺☺	295920	N/A
Sierra Grille Guard	☺☺☺	295919	N/A
QM Front Receiver	☺☺	251069	N/A
2001 F-250, F-350, F-450, F-550 Super Duty 2000-2001 Excursion			
Wraparound	☺☺☺☺☺	295346	295344
Grille Guard	☺☺☺☺☺	295342	295340
QM Front Receiver	☺☺☺☺☺	251065	N/A
1999-2000 F-250, F-350, F-450, F-550 Super Duty			
Wraparound	☺☺☺☺☺	295346	295344
Grille Guard	☺☺☺☺☺	295342	295340
QM Front Receiver	☺☺☺	251070	N/A
1999-2001 Explorer			
Sierra Wraparound	☺☺☺	295918	N/A
Sierra Grille Guard	☺☺☺	295917	N/A
QM Front Receiver	☺☺☺	251040	N/A
2001 Explorer Sport, Sport Track			
Standard Mount	☺☺	295363	N/A
QM Front Receiver	☺☺	251071	N/A
1995-1998 Explorer, 1997-2000 Mercury Mountaineer			
QM Front Receiver	☺☺☺	251040	N/A



QM Front Receiver Mounting Kit



Original Mounting Kit



Hidden Mounting Kit



Sierra Grille Guard Mounting Kit

* Will not mount ProPlus/Platinum Series winches.
 (A) For ProPlus 9000X/Platinum Series must use mounting spacer kit P/N 251047.

MOUNTING SYSTEMS

www.ramsey.com

Applications

Ford continued	Installation Rating	Platinum ProPlus / REP QM Series	RE Series
1998-2000 Ranger			
Sport Bar	☺☺☺	295305	N/A
QM Front Receiver	☺☺☺	251040	N/A
1992-1996 F-150, 1992-1998 F-250 HD, F-350, Bronco, Super Duty			
Sport Bar	☺☺☺	295196	N/A
TreKker-Bumper* (W)	☺☺☺	212126	212126
Req'd Hdw.		292041 (T)	292050 (T)
QM Front Receiver	☺☺☺	251029	N/A
1987-1991 F-150, F-250, F-350, Bronco, Super Duty			
TreKker Bumper*	☺☺☺	212126	212126
Req'd Hdw.		292035 (T)	292034 (T)

Lincoln

1998-2001 Navigator			
Hidden	☺☺	295276 (O)	N/A

Nissan-Datsun

1998-2000 Frontier 4wd Pickup/Exterra			
Sport Bar	☺☺☺	295315 (CC)	N/A



Hidden Mounting Kit



Sierra Grille Guard Mounting Kit



QM Front Receiver Mounting Kit



Original Mounting Kit

* Will not mount ProPlus/Platinum Series winches.

(A) For ProPlus 9000X/Platinum Series must use mounting spacer kit P/N 251047.

(CC) For 9,000 lbs. rating, use optional 600 amp or larger battery to develop full winch capacity.

(I) Fits 1978-79 Bronco, 1967-79 pickups except F-350 prior to 1978; will not fit vehicles with open channel frame.

(O) For winches with hawse fairlead only.

(T) Will not fit 2WD diesel F-250 and F-350. Transmission oil cooler lines interfere with RE winches.

(W) Bumper decreases air flow when used on diesel models. Optional Air Scoop Kit 256101 recommended.





Limited Warranty

Ramsey Winch warrants the mechanical components of each new **Ramsey consumer front mount and detachable winch** to be free from defects in material and workmanship for the lifetime of the winch. All electrical components and mounting kits carry a one (1) year limited warranty against defects in material and workmanship.

Ramsey Winch warrants each new **Ramsey battery isolator** for a period of ninety (90) days after being placed in service or six (6) months from date of invoice, whichever expires first.

Warranty registration card must be submitted to Ramsey within 30 days of purchase. Warranty is only valid for the original purchaser of the winch.

Warranty General

The obligation under this warranty, statutory or otherwise, is limited to the replacement or repair at the manufacturer's factory, or at a point designated by the manufacturer, of such part, that shall appear to the manufacturer, upon inspection of such parts to have been defective in materials and workmanship. This warranty does not obligate Ramsey Winch to bear the cost of labor or transportation charges in connection with the repair of defective parts, nor shall it apply to a product upon which repairs or alterations have been made unless authorized by the manufacturer, or for equipment which has been misused or neglected or which has not been installed correctly.

Important Notice

To the fullest extent permitted by applicable law, the following are hereby excluded and disclaimed:

1. All warranties of fitness for a particular purpose;
2. All warranties of merchantability;
3. All claims for consequential or incidental damages. There are no warranties that extend beyond the description that appears on the face hereof.

Some states do not allow the above exclusions or disclaimers in consumer transactions, and as such, this disclaimer/exclusion may not apply.

To the extent such warranties of fitness for a particular purpose or merchantability are deemed to apply to this product, they exist for only as long as the express limited warranty elsewhere set forth is in existence.

Ramsey Winch Company makes no warranty in respect to accessories, same being subject to the warranties of their respective manufacturers.

Ramsey Winch Company, whose policy is one of continuous product improvement, reserves the right to improve any product through changes in design or materials as it may deem desirable without being obligated to incorporate such changes in products of previous manufacturer.

If field service at the request of the buyer is rendered and the fault is found not to be with Ramsey Winch Company's product, the buyer shall pay the time and expense cost of the field representative. Bills for service, labor, or other expenses which have been incurred by the buyer without express approval or authorization by Ramsey Winch Company will not be accepted.

This warranty gives you specific legal rights and you may also have other legal rights which may vary from state to state.

See owners manual with product for specific product warranty.

Winch Mounting

Ramsey kits are designed for use with Ramsey winches only. Use or sales of kits for other winches or applications voids warranty.

Ramsey offers mounting kits and winches for various vehicles. In crash tests on a limited number of automotive manufacturer's vehicles, winches/mounting kits which have been properly mounted have not interfered with air bag operation.

The installer must verify that the mounting kit does not interfere with the factory air bag sensors, which must not be relocated or modified in any way. The user should follow the vehicle manufacturer's recommendations and those of a qualified mechanic to determine if the winch/mounting kit might interfere with the air bag operation. The user should then determine the suitability of a winch/mounting kit on a particular vehicle.

Please be advised that the vehicle's air bag system may not operate properly if the winch/mounting kit is not mounted in compliance with the vehicle manufacturer's recommendations.

Warning!

PRODUCTS IN THIS CATALOG ARE NOT TO BE USED TO LIFT, SUPPORT, OR OTHERWISE TRANSPORT PERSONNEL.

The winches described herein are neither designed nor intended for use or application to equipment used in the lifting, moving or transportation of persons.

The cable clamps alone on winches are not designed to hold rated loads. Therefore, a minimum of five (5) wraps of cable must be left on drum barrel to achieve rated load.

Winches shown are solely and exclusively designed for non-industrial applications. Use in other applications will void warranty. Information on Ramsey industrial winches with line pull ratings from 3,000 lbs. to 50,000 lbs. is available from your Ramsey distributor or the factory.



LEADING THE WAY

www.ramsey.com

CERTIFIED ISO 9002

GOVERNMENT BY THE COURSE TO EXCELLENCE (G2E)

NSICG

NTCA

PERFORMANCE EXCELLENCE ASSOCIATION

APA

MEMBER

treadlightly! OFFICIAL SPONSOR

Distributed by:

For the name of your nearest
Ramsey dealer visit us at www.ramsey.com



LEADING THE WAY

1600 N. Garnett Rd., Tulsa, OK 74116 USA
P O Box 581510, Tulsa, OK 74158-1510 USA
918-438-2760 ■ FAX 918-438-6688
ramsey.com